

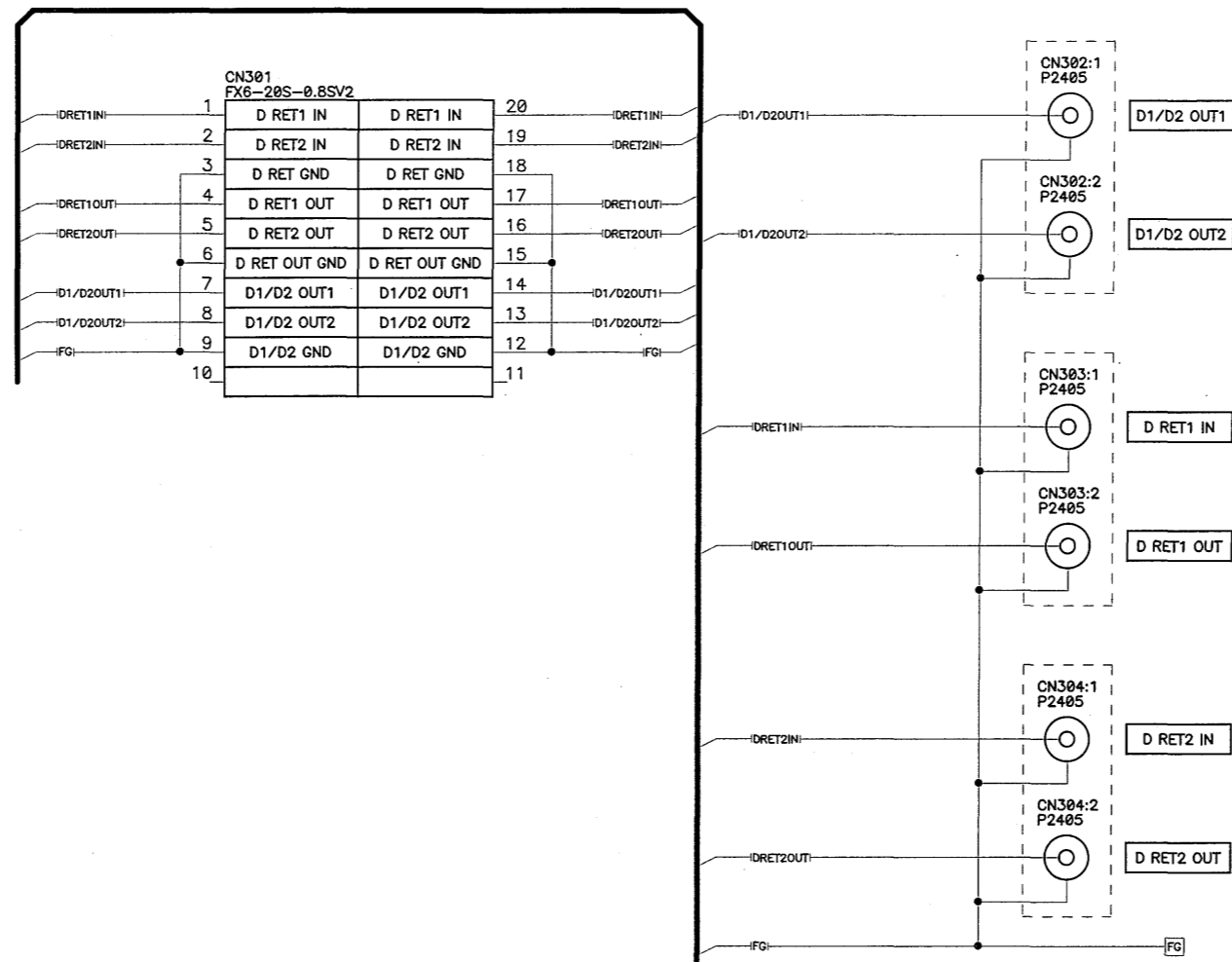
CN201  
DF13-14P-1.25V

1	D1/D2 OUT(H)	D1/D2(H)
2	SHIELD	
3	D1/D2 OUT(C)	D1/D2(C)
4	SHIELD	
5	D RET(H)	RET(H)
6	SHIELD	
7	D RET(C)	RET(C)
8	SHIELD	
9	RET SEL	RETSEL
10		
11	-5V	-5VIN
12	D+5V	D+5V
13	DGND	
14	DGND	

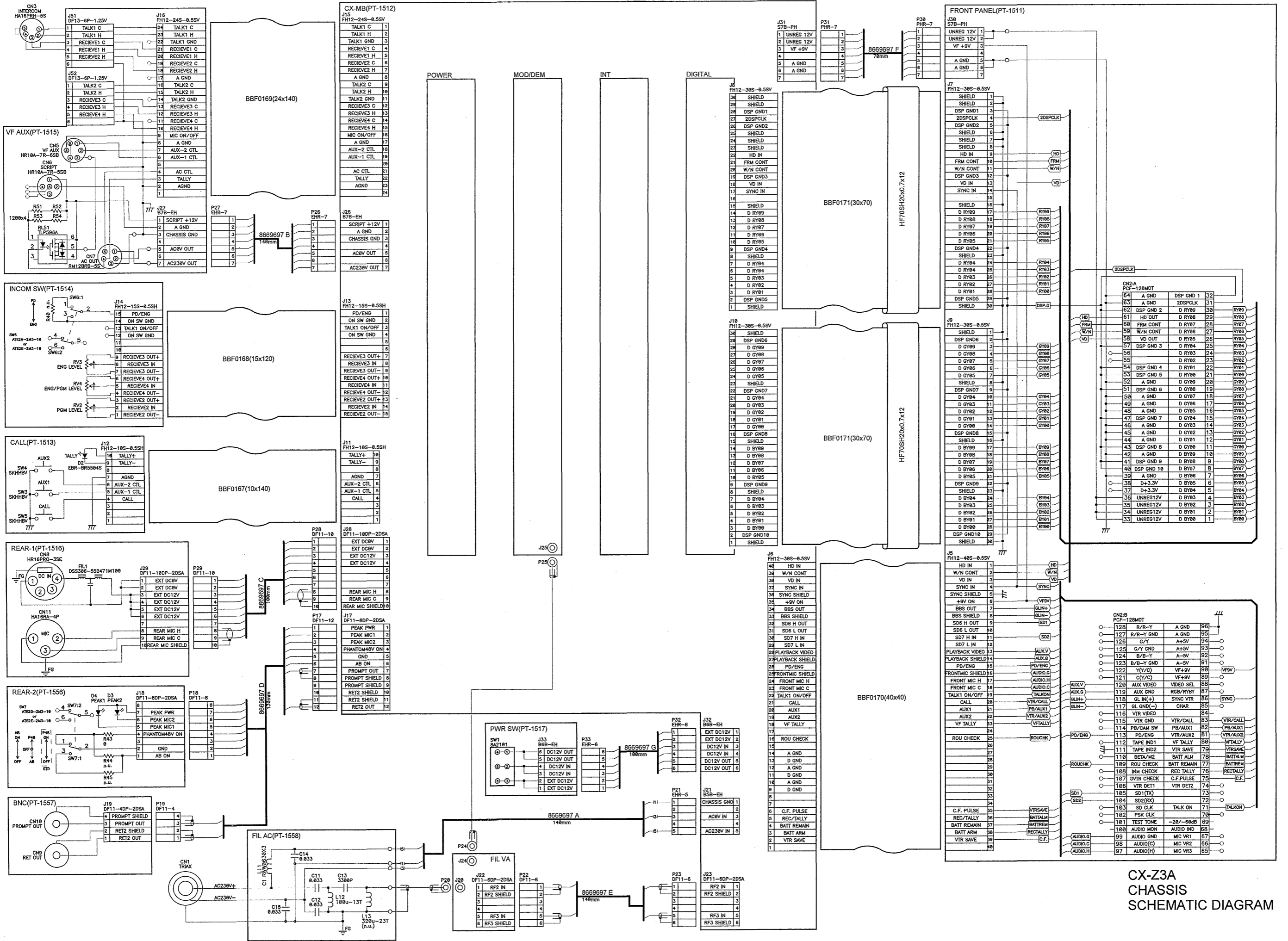
CN202  
FX6-20P-0.85V1

1	D RET1 IN	D RET1 IN	20	DRET1IN
2	D RET2 IN	D RET2 IN	19	DRET2IN
3	D RET GND	D RET GND	18	DGND
4	D RET1 OUT	D RET1 OUT	17	DRET1OUT
5	D RET2 OUT	D RET2 OUT	16	DRET2OUT
6	D RET OUT GND	D RET OUT GND	15	DGND
7	D1/D2 OUT1	D1/D2 OUT1	14	D1/D2OUT1
8	D1/D2 OUT2	D1/D2 OUT2	13	D1/D2OUT2
9	D1/D2 GND	D1/D2 GND	12	DGND
10			11	

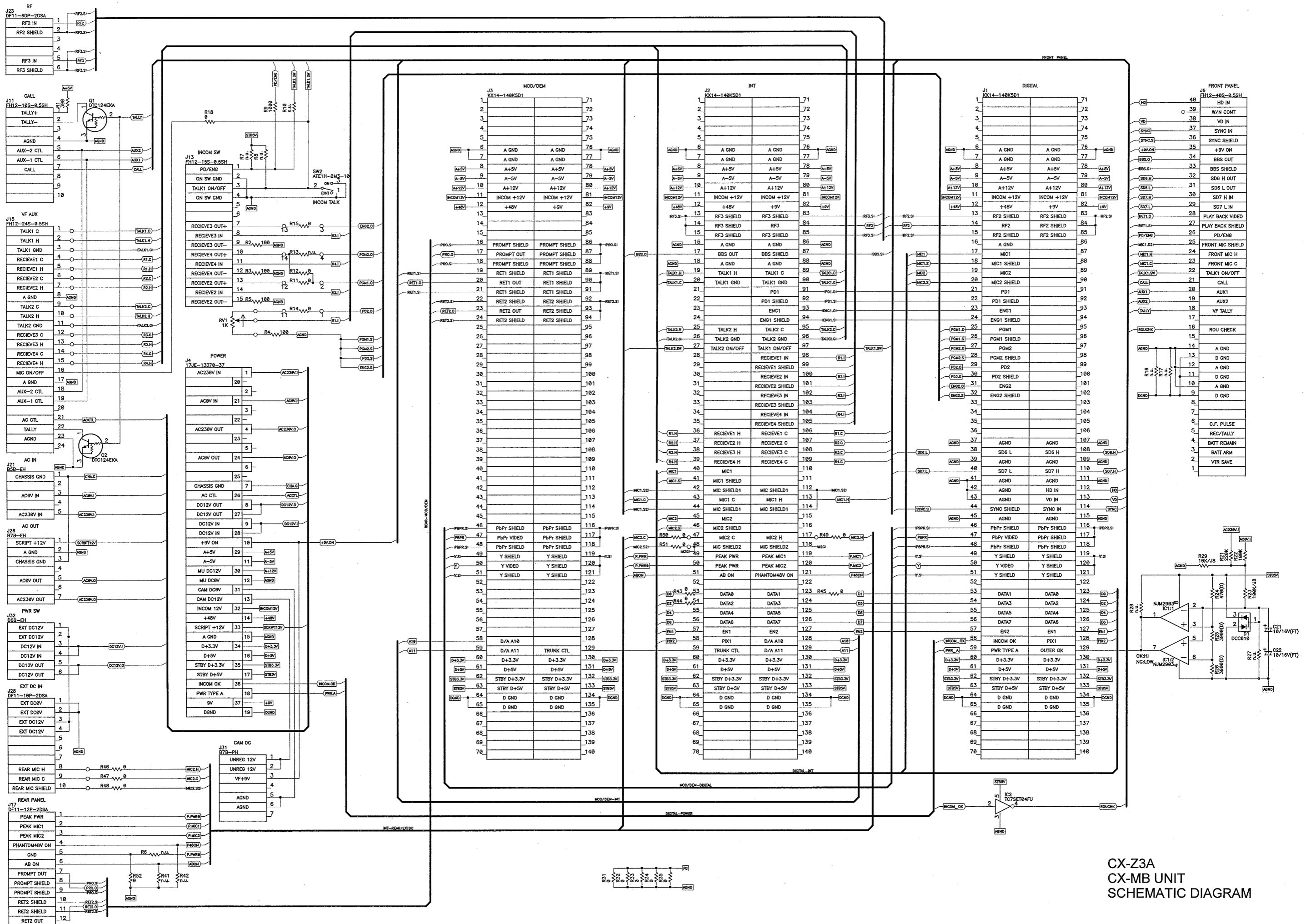
TU-Z3A  
DIGBNC SUB UNIT  
SCHEMATIC DIAGRAM



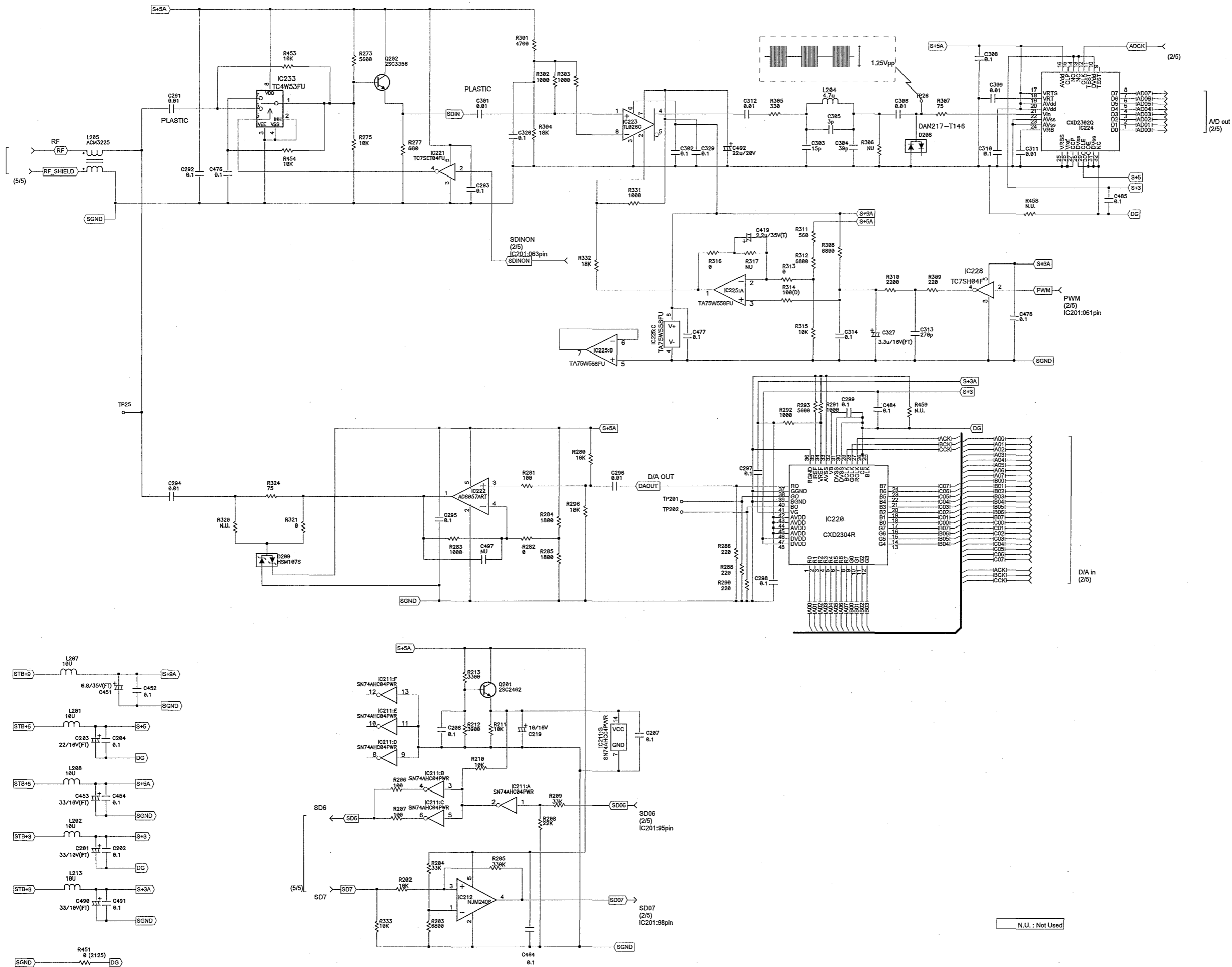
TU-Z3A  
DIGBNC UNIT  
SCHEMATIC DIAGRAM



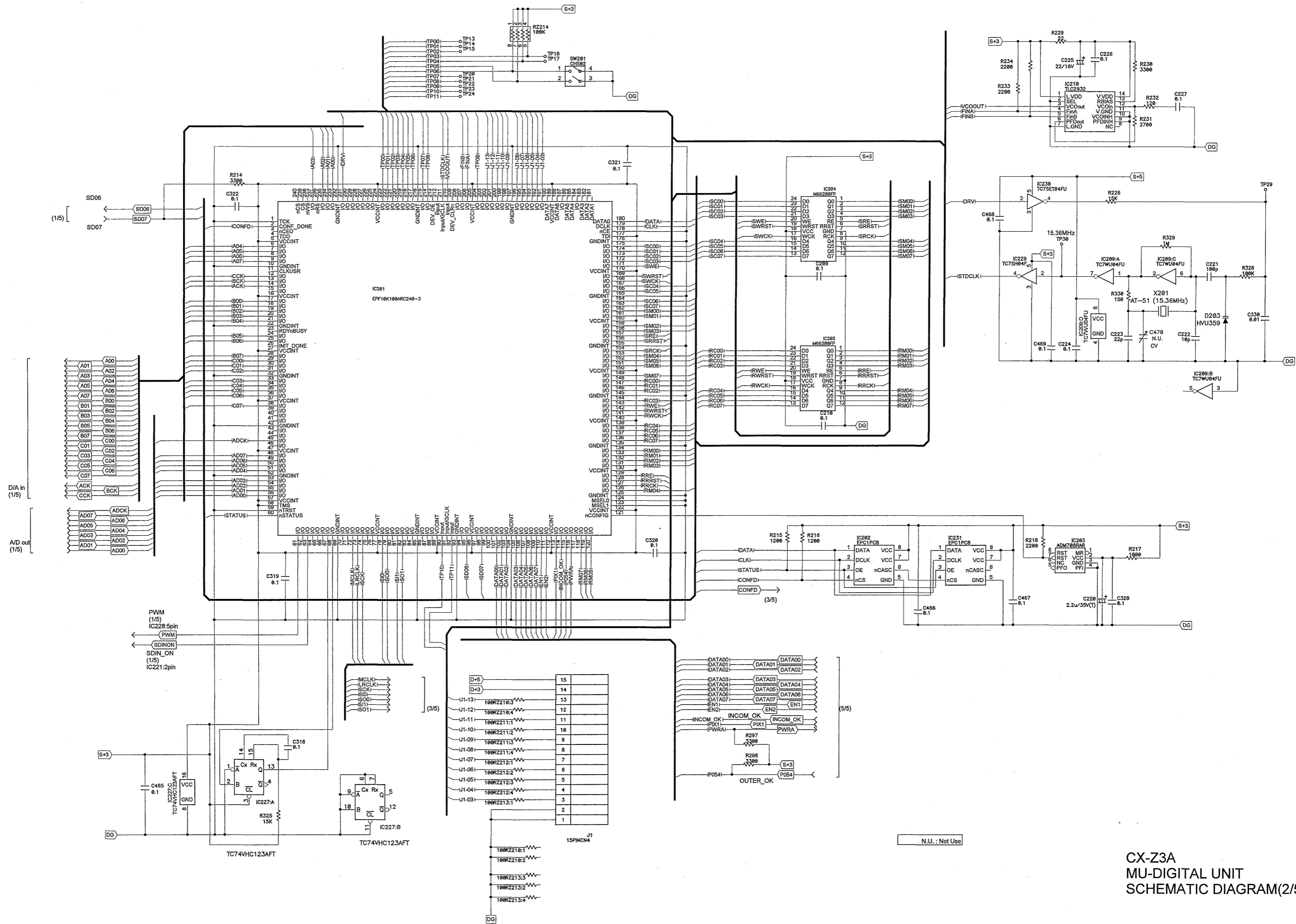
CX-Z3A  
CHASSIS  
SCHEMATIC DIAGRAM



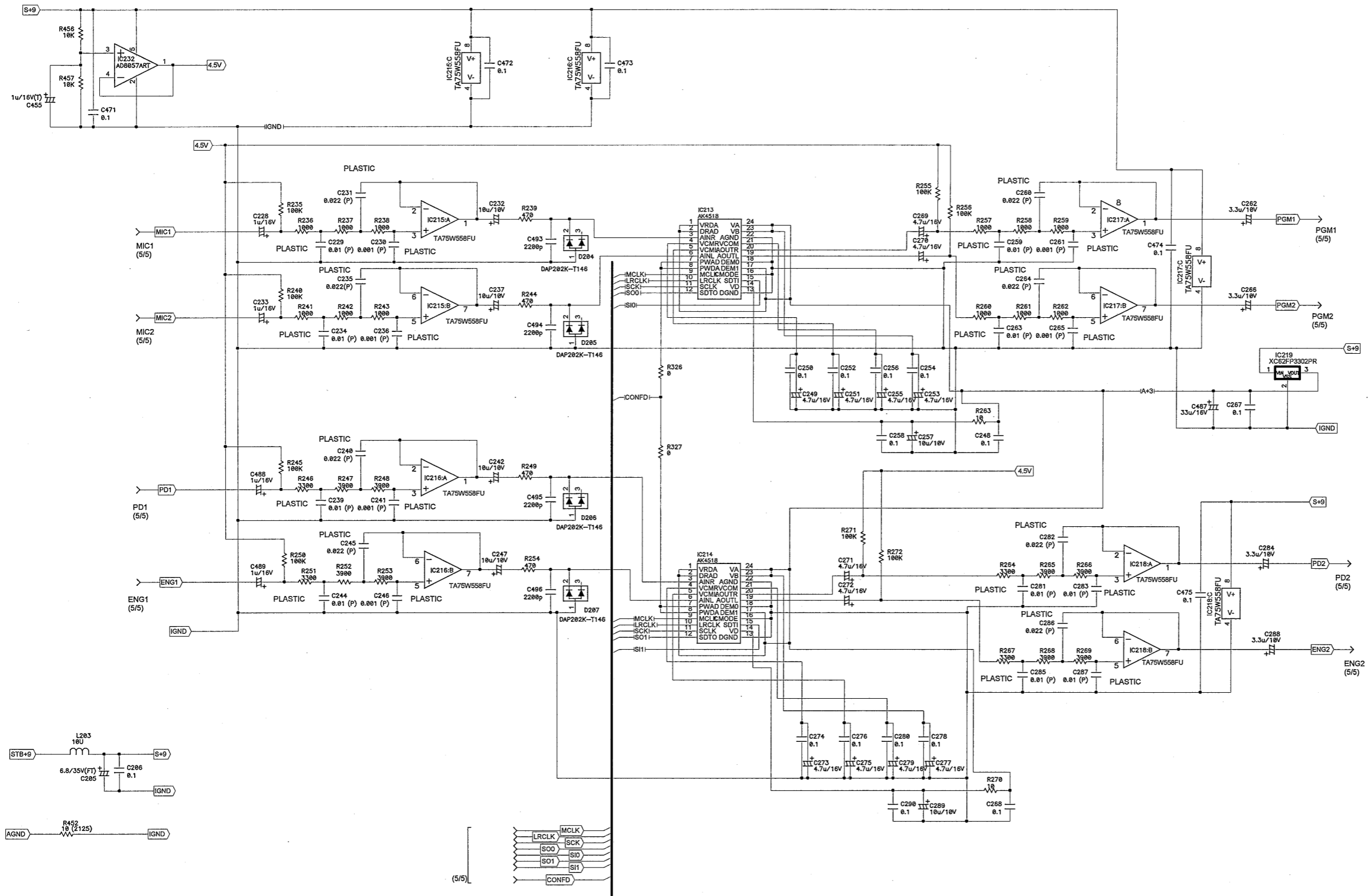
CX-Z3A  
CX-MB UNIT  
SCHEMATIC DIAGRAM



CX-Z3A  
MU-DIGITAL UNIT  
SCHEMATIC DIAGRAM(1/5)

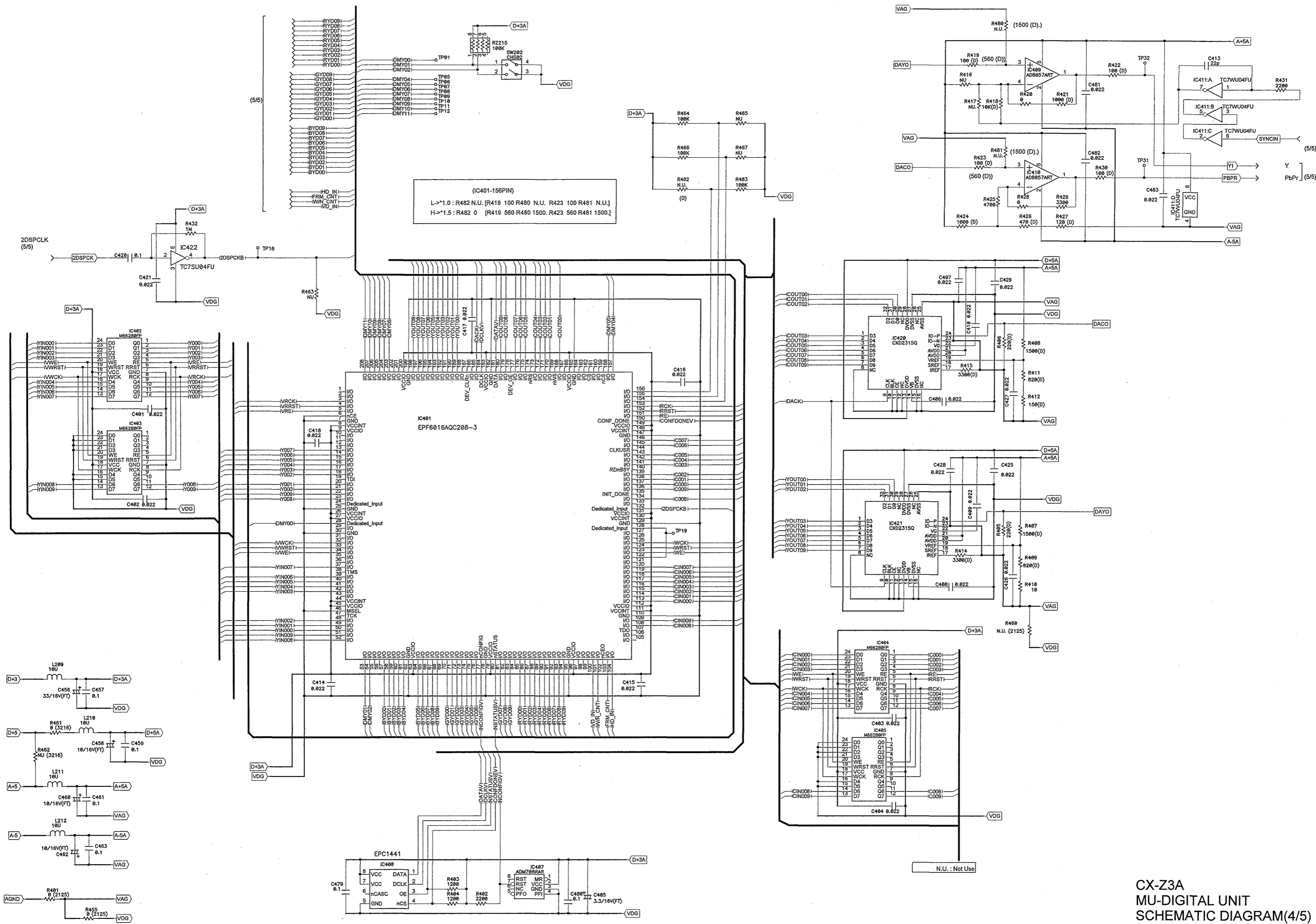


CX-Z3A  
MU-DIGITAL UNIT  
SCHEMATIC DIAGRAM(2/5)



N.U. : Not Use

CX-Z3A  
MU-DIGITAL UNIT  
SCHEMATIC DIAGRAM(3/5)



CX-Z3A  
MU-DIGITAL UNIT  
SCHEMATIC DIAGRAM(4/5)